

# WOODPECKER

Economical line of quality carbide tipped router bits - essential for every craftsman and DIY amateur. A basic assortment of router bits and sets. The tools facilitate renovations, repairs and restoration of furniture. Excellent for building furniture and artistry on wood. Available with 6mm shank, 8mm shank and 1/4" shank.



# Woodpecker Router Bits

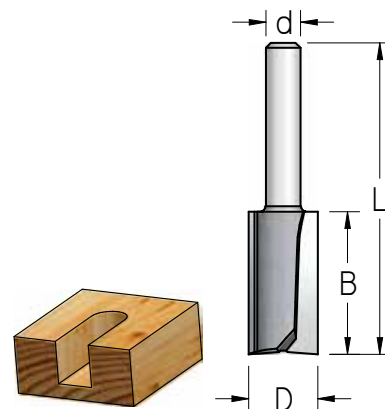
Economical line of quality carbide tipped router bits



## HP

### Straight Bits

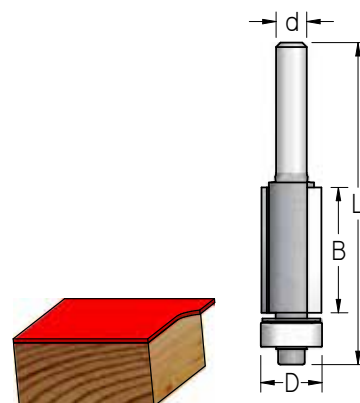
Tool No.		D	B	L	
d=6mm	d=1/4"	d=8mm	mm	mm	
HP21053	HP21054	HP21055	5	12	48
HP23063	HP23064	HP23065	6	20	48
HP23083	HP23084	HP23085	8	20	48
HP24083	HP24084	HP24085	8	25	56
HP23103	HP23104	HP23105	10	20	48
HP23123	HP23124	HP23125	12	20	48
HP24123	HP24124	HP24125	12	25	56
HP23133	HP23134	HP23135	12.7	20	48
HP23143	HP23144	HP23145	14	20	48
HP23163	HP23164	HP23165	16	20	48
HP23183	HP23184	HP23185	18	20	48
HP23193	HP23194	-	19	20	48
HP23203	HP23204	HP23205	20	20	48
HP23253	HP23254	-	25	20	48



## HF

### Flush Trimming Bits

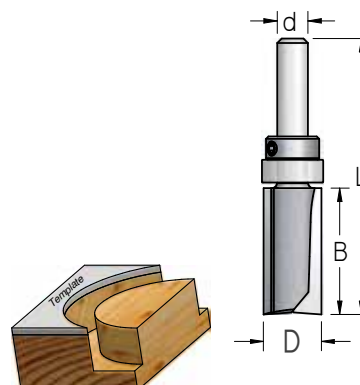
Tool No.		D	B	L	Bearing	
d=6mm	d=1/4"	d=8mm	mm	mm	mm	
HF22093	HF22094	HF22095	9.5	13	53	B095032
HF24093	HF24094	HF24095	9.5	25	65	B095032
HF22123	HF22124	HF22125	12.7	13	53	B127048
HF24123	HF24124	HF24125	12.7	25	65	B127048



## HPF

### Straight Plunge Template Bits

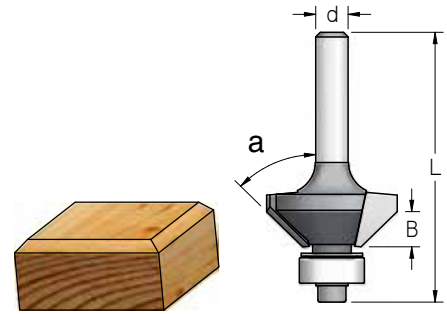
Tool No.		D	B	L	Bearing	Retaining Collar	
d=6mm	d=1/4"	d=8mm	mm	mm	mm	mm	
HPF4123	HPF4124		12.7	25	63	B127063	PF06300
HPF4163	HPF4164		16	25	63	B127063	PF06300
		HPF4165	16	25	63	B160080	PF08000



# HSL

## Bevel Trimming Bits

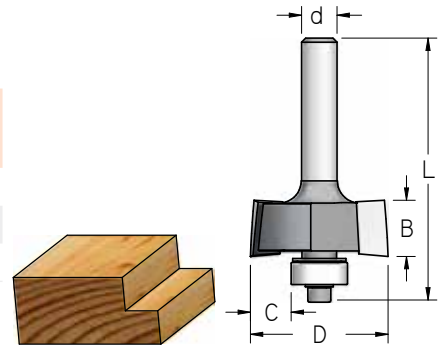
Tool No.		a	B	L	Bearing	
d=6mm	d=1/4"	d=8mm	degrees	mm	mm	
HSL1503	HSL1504	HSL1505	15	6.5	51	B127048
HSL2253	HSL2254	HSL2255	25	6.5	46.5	B095032
HSL4503	HSL4504		45	6.5	52.5	B127048
HSL2453	HSL2454	HSL2455	45	13	50	B095032



# HE

## Rabbeting Bits

Tool No.		C	D	B	L	Bearing	
d=6mm	d=1/4"	d=8mm	mm	mm	mm	mm	
HE22033	HE22034	HE22035	4.8	18.8	11	46	B095048
HE22103	HE22104	HE22105	9.5	28.6	12	47	B095032
HE22093	HE22094	HE22095	11.1	31.8	12	46.5	B095048

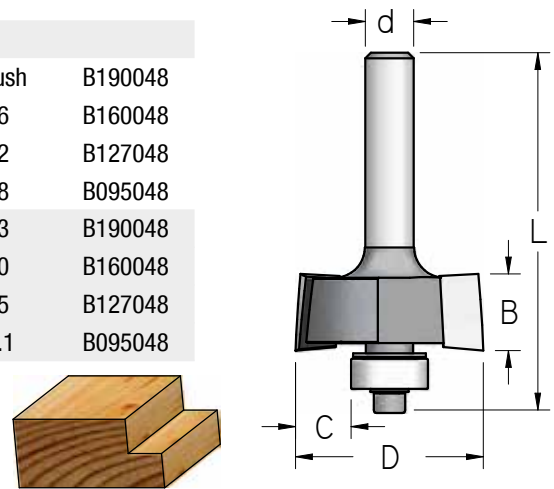


# HES

## Rabbeting & Flush Trim Set

2 bits - 4 bearing guides  
Allows 8 different cuts

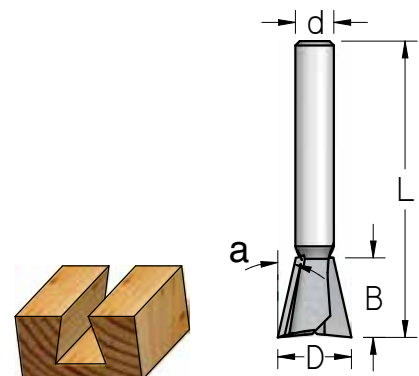
Tool No.		D	B	L	C	Bearing	
d=6mm	d=1/4"	d=8mm	mm	mm	mm	mm	
HES8003	HES8004	HES8005					
<b>Components</b>							
					0-flush	B190048	
HE22033	HE22034	HE22035	18.8	11	46	1.6	B160048
						3.2	B127048
						4.8	B095048
						6.3	B190048
HE22093	HE22094	HE22095	31.8	12	46	8.0	B160048
						9.5	B127048
						11.1	B095048



# HZ

## Dovetail Bit

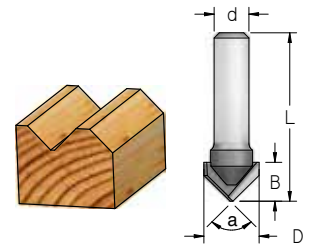
Tool No.		a	D	B	L
d=6mm	d=1/4"	d=8mm	degrees	mm	mm
HZ13143	HZ13144	HZ13145	14	12.7	12



# HV

## "V"- Grooving Bits

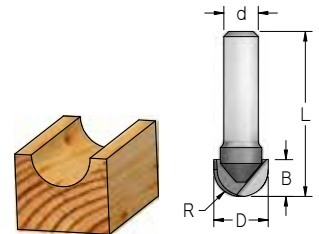
Tool No.		a	D	B	L	
d=6mm	d=1/4"	d=8mm	degrees	mm	mm	
HV60953	HV60954	HV60955	60	9.5	10	41
HV90123	HV90124	HV90125	90	12.7	8	38



# HRB

## Core Box Bits

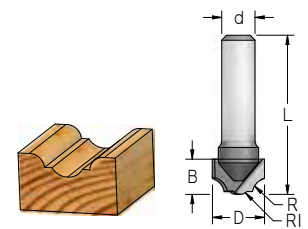
Tool No.		R	D	B	L	
d=6mm	d=1/4"	d=8mm	mm	mm	mm	
HRB0603	HRB0604	HRB0605	3.2	6.3	5	42
HRB1003	HRB1004	HRB1005	4.8	9.5	6	38
HRB1203	HRB1204	HRB1205	6.3	12.7	8	39
HRB1903	HRB1904	HRB1905	9.5	19	11	44



# HRC

## Classical Bit

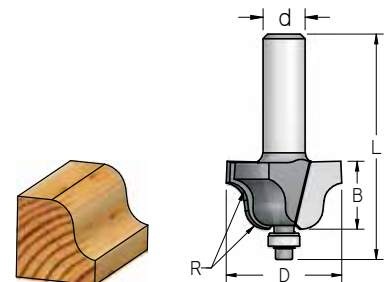
Tool No.		R	R1	D	B	L	
d=6mm	d=1/4"	d=8mm	mm	mm	mm	mm	
HRC0303	HRC0304	HRC0305	4.0	3.2	12.7	8	38



# HRD

## Roman Ogee Bits

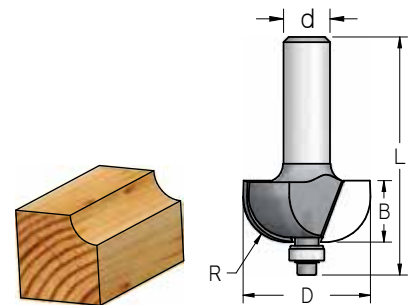
Tool No.		R	D	B	L	Bearing	
d=6mm	d=1/4"	d=8mm	mm	mm	mm	mm	
HRD0403	HRD0404	HRD0405	4.0	25	16	52	B095032
HRD0603	HRD0604	HRD0605	6.3	35	19	57.5	B095032



# HRZ

## Cove Bits

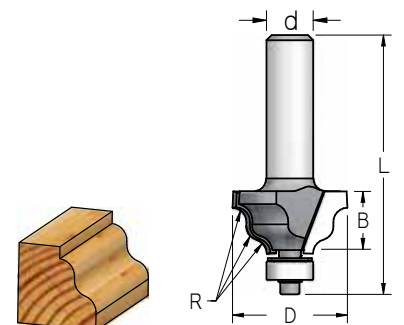
Tool No.		R	D	B	L	Bearing	
d=6mm	d=1/4"	d=8mm	mm	mm	mm	mm	
HRZ0603	HRZ0604	HRZ0605	6.3	22	13	49	B095032
HRZ1003	HRZ1004	HRZ1005	9.5	28.6	14	51	B095032
HRZ1203	HRZ1204	HRZ1205	12.7	35	15	54	B095032



# HRJ

## Wavy Edge Bit

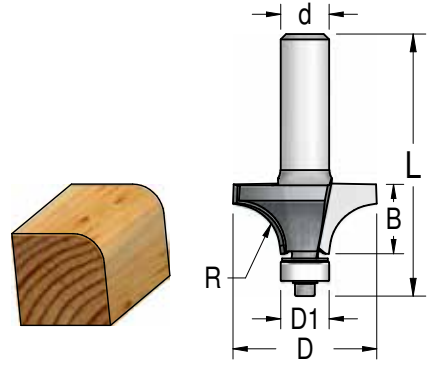
Tool No.		R	D	B	L	Bearing	
d=6mm	d=1/4"	d=8mm	mm	mm	mm	mm	
HRJ0303	HRJ0304	HRJ0305	3	25	13	47.5	B095032



# HRW

## Rounding Over Bits

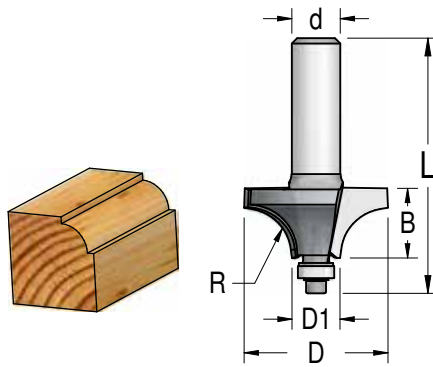
Tool No.			R	D	D1	B	L	Bearing
d=6mm	d=1/4"	d=8mm	mm	mm	mm	mm	mm	
HRW0303	HRW0304	HRW0305	3.2	15.8	9.5	10	45	B095032
HRW0603	HRW0604	HRW0605	6.3	22	9.5	13	47	B095032
HRW0803	HRW0804	HRW0805	8	25	9.5	15	49	B095032
HRW1003	HRW1004	HRW1005	9.5	28.6	9.5	17	51	B095032
HRW1213	HRW1214	HRW1215	12.7	38	12.7	17.5	59	B127048



# HRP

## Beading Bits

Tool No.			R	D	D1	B	L	Bearing
d=6mm	d=1/4"	d=8mm	mm	mm	mm	mm	mm	
HRP0303	HRP0304	HRP0305	3.2	15.8	9.5	10	45	B063032
HRP0603	HRP0604	HRP0605	6.3	22	9.5	13	47	B063032
HRP0803	HRP0804	HRP0805	8	25	9.5	15	49	B063032
HRP1003	HRP1004	HRP1005	9.5	28.6	9.5	17	51	B063032
HRP1213	HRP1214	HRP1215	12.7	38	12.7	17.5	59	B095048



# HS06

## 6 Pcs. Starter Set

In a handsome wooden storage box.

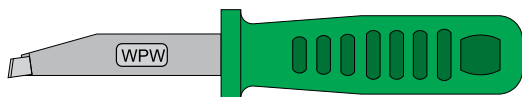
Set No.		
d=6mm	d=1/4"	d=8mm
HS06223	HS06224	HS06225
Consists of:		
HP23063	HP23064	HP23065
HP23123	HP23124	HP23125
HRD0403	HRD0404	HRD0405
HRP0603	HRP0604	HRP0605
HRW1003	HRW1004	HRW1005
HV90123	HV90124	HV90125



# SA

## Carbide Laminate Cutter

“Score and Break” for cutting laminates and other hard materials. Can be used for glass.



TOOL NO. SA00000



## Why should I become a WPW business partner?

- Professional quality – tested and approved
- Comprehensive range of tools
- Best carbide grades available
- Creative and experienced engineering team
- Advanced production
- Reliability and fast delivery
- Service above all
- Worldwide export for more than 50 years
- Excellent value for your money



26 Hahermesh St. Industrial Area, Karmiel

P.O.Box 6444, Karmiel 2165270 Israel

Tel: +972 4 998 9482 | Fax: +972 4 988 2817

[www.wpw-tools.com](http://www.wpw-tools.com) | [info@wpw.co.il](mailto:info@wpw.co.il)

