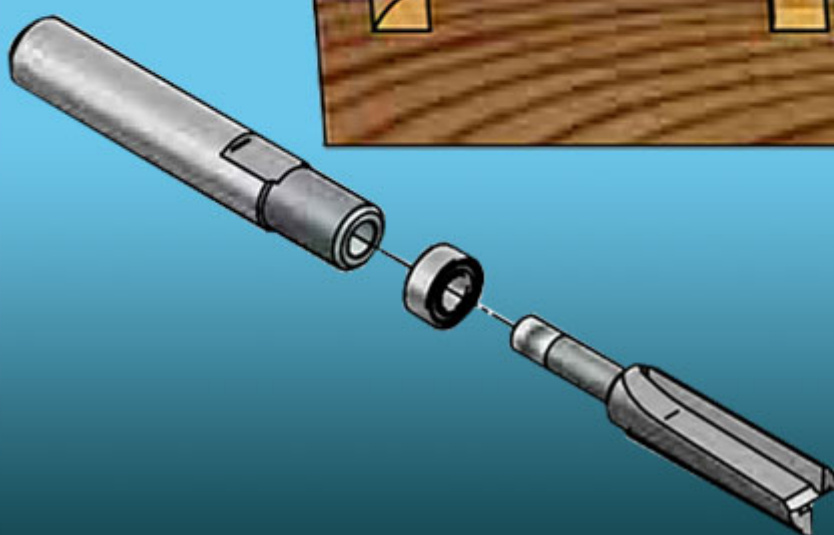
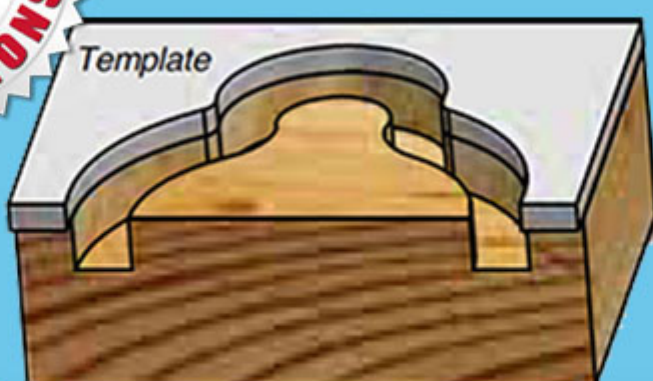
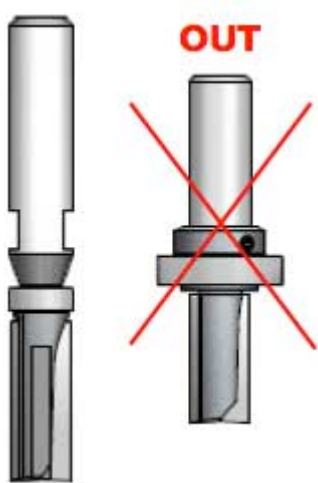


PFT - Mini & Nano Straight Template Bits

Mission Impossible?

At last, top bearings can be of the same Diameter as the shank, or even smaller. Template routing is now possible with a smaller cutter than ever!



WPW PFT bits simplify template design. Templates can be produced the same size as the finished workpiece. Important feature in jobs with complex shapes when small diameter cutters are needed. These tools save material, reduce needed power and allow getting into tighter corners

[\(See Page 40 of our Catalogue\).](#)